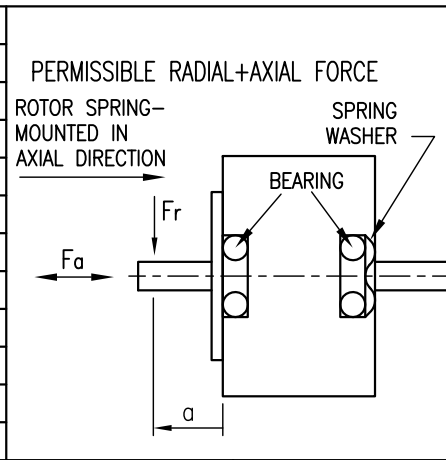


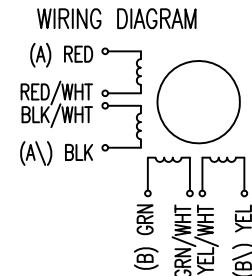
SPECIFICATION	CONNECTION	UNIPOLAR OR BIPOLAR-1 WINDING	BIPOLAR	
			SERIAL	PARALLEL
VOLTAGE (VDC)		3.6		
AMPS/PHASE		6.7	4.7	9.5
RESISTANCE/PHASE (Ohms)@25°C		0.54±15%	1.08±15%	0.27±15%
INDUCTANCE/PHASE (mH) @1KHz		2.7±20%	10.8±20%	2.7±20%
HOLDING TORQUE (Nm) [lb-in]		6.6 [58.41]	9.33 [82.57]	9.33 [82.57]
DETENT TORQUE (Nm) [lb-in]		0.20 [1.77]		
STEP ANGLE (°)		1.8		
STEP ACCURACY (NON-ACCUM)		± 5%		
ROTOR INERTIA (Kg-m²) [lb-in²]		3.0x10 ⁻⁴ [1.025]		
WEIGHT (Kg) [lb]		3.95 [8.71]		



TYPE OF CONNECTION (EXTERN)				MOTOR	
UNIPOLAR	BIPOLAR			LEADS	WINDING
	1WINDING	SERIAL	PARALLEL		
A	A	A	A	RED	A
COM				RED/WHT	
A\		A\	A\	BLK/WHT	A\
B	B	B	B	BLK	B
COM				GRN	
B\		B\	B\	GRN/WHT	B\
				YEL/WHT	
				YEL	

FULL STEP 2 PHASE-Ex.,
WHEN FACING MOUNTING END (X)

STEP	A	B	A\	B\	CCW	CW
1	+	+	-	-	↓	↑
2	-	+	+	-	↓	↑
3	-	-	+	+	↓	↑
4	+	-	-	+	↓	↑



TEMPERATURE RISE: MAX.80°C (MOTOR STANDSTILL; FOR 2 PHASE ENERGIZED)	AXIAL-FORCE Fa (N)	Fa=65			
AMBIENT TEMPERATURE -20~ 50°C [-4°F ~ 122°F]	DISTANCE a (mm)	5	10	15	20
INSULATION RESISTANCE 100 MOhm (UNDER NORMAL TEMPERATURE AND HUMIDITY)	RADIAL-FORCE Fr (N)	535	355	256	200
INSULATION CLASS B 130° [266°F]			AXIAL	RADIAL	
DIELECTRIC STRENGTH 500VAC FOR 1 MIN. (BETWEEN THE MOTOR COILS AND THE MOTOR CASE)	SHAFT PLAY (mm)	0.075	0.025		
AMBIENT HUMIDITY MAX. 85% (NO CONDENSATION)	AT LOAD MAX: (N)	10	5.0		

5	REMOVE TEXT	03.03.15	A.S.
4	NEW THREAD/THICKNESS OF FLANGE	25.07.13	A.S.
3	VALUE OF RESISTANCE	11.11.10	J.W.
REV	DESCRIPTION	DATE	APVD



ST8918L6708-B

SCALE FREE	
X	±0.5
1PL	±0.2
2PL	±0.1
ANGLE	±30'

APVD	<i>S.Ha.</i>	09.01.07
CHKD		
DRN	<i>J.W.</i>	13.06.06
SIGNATURE		DATE

STEPPING MOTOR

DWG.NO

ST8918L6708-B